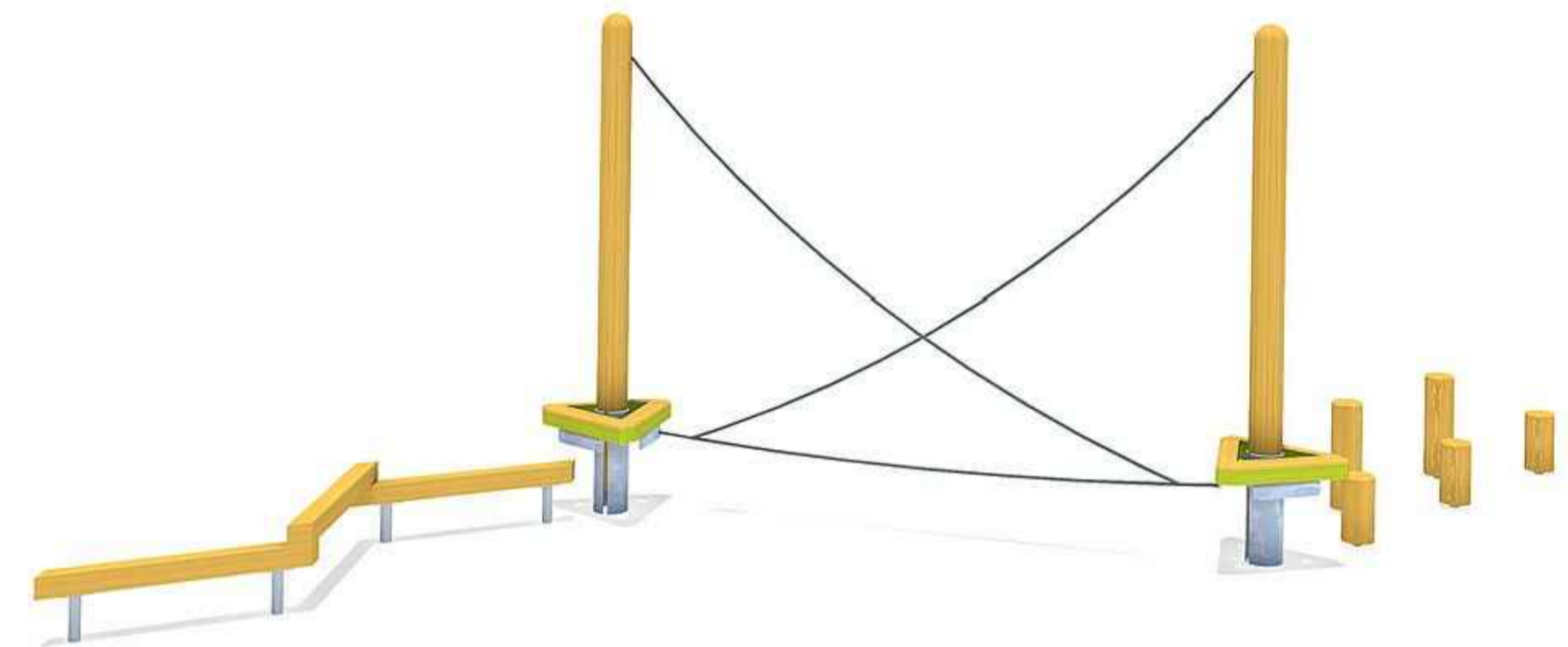
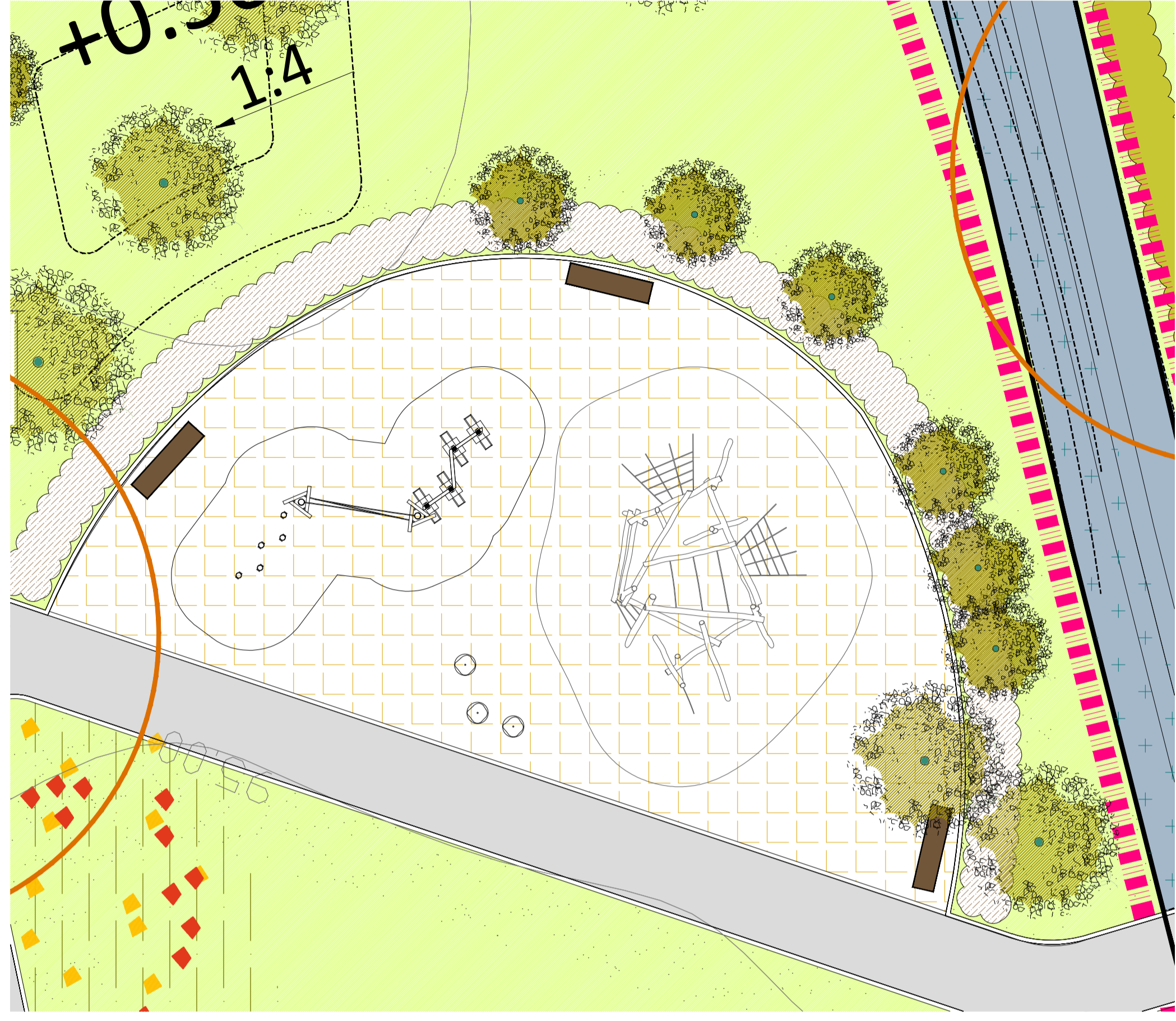



- Legend**
- Proposed Amenity grass areas with public ownership and to public open space: grass seed sown on 150mm clean topsoil (imported if necessary), over 250mm subsoil, all subsoil to be punctured and consolidated to aid natural drainage.
 - Proposed open space tree planting - specimen species.
 - Proposed Play area - grass rubberised matting
 - Proposed brushed concrete surface surrounding dwellings and on footpaths through open space.
 - Proposed seating
- Appropriate root barriers to be installed as necessary where services run close to existing/proposed trees.
- Refer to Tree Survey, Tree Constraints drawing, Tree Protection Plan and supporting Arboricultural Impact Assessment as prepared by 'The Tree File' for all detailed information which has been fully co-ordinated with the Landscape Plans.

Play Area 2





complete inspiration

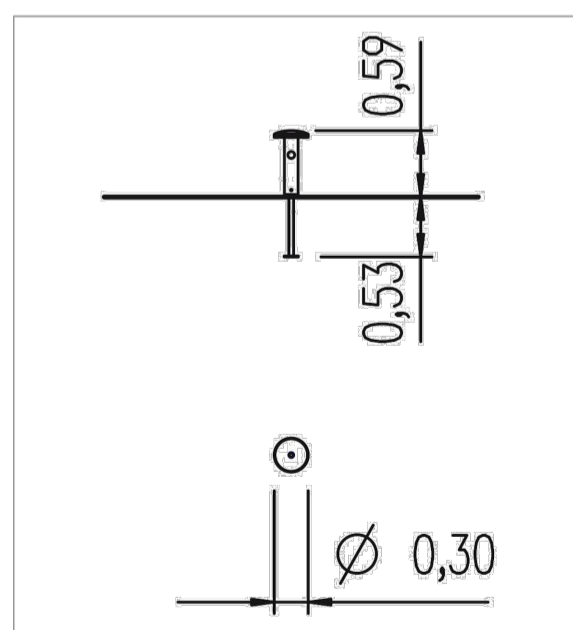
5 55 309 5

balance jump-over mushroom Square Dance

made in germany


Scope of delivery

- 1x standing posts: SW
- 1x mushroom head: GFRR
- 1x post shoe: galvanised steel



Material	SW pi
Foundation level	FL 1
Minimum space	Ø 30x239 cm
Free falling height	59 cm
Impact protection net	-
Foundations	1x CF
Assembly	1 person/0.2 h
Largest section	56xØ 30 cm
Heaviest section	6 kg

eibeplay Ltd, eibe House | Forsyth's Home Farm | A3 Bypass Road, Hurtmore, Surrey | GU8 6 AD | UK | Fon +44 (0)14 83/813 834 | Fax +44 (0)14 83/813 851 | eibe@eibe.co.uk | www.eibe.co.uk



complete inspiration

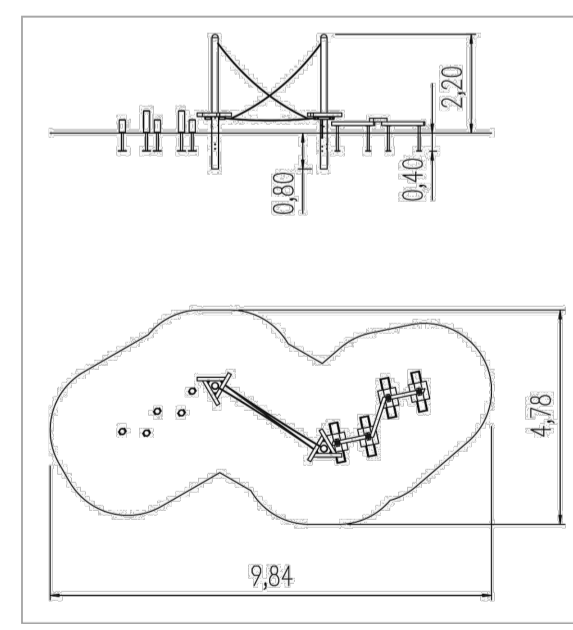
5 25 040 0710 0

active trail combination 01

made in germany


Scope of delivery

- 2x island
- 1x crossing L1
- 1x crossing L2
- 1x crossing M1



Material	Eucalyptus
Foundation level	FL 3
Minimum space	98x478x320 cm
Free falling height	50 cm
Impact protection net	-
Foundations	10x CF

eibeplay Ltd, eibe House | Forsyth's Home Farm | A3 Bypass Road, Hurtmore, Surrey | GU8 6 AD | UK | Fon +44 (0)14 83/813 834 | Fax +44 (0)14 83/813 851 | eibe@eibe.co.uk | www.eibe.co.uk



complete inspiration

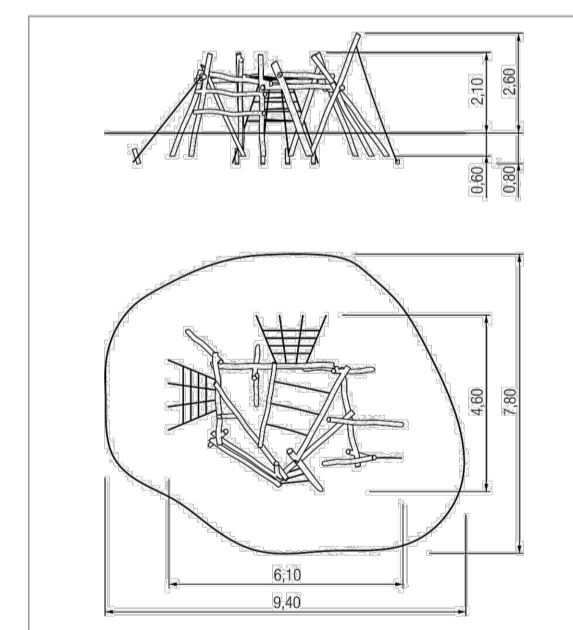
5 45 083 0630 0

paradiso play unit Climbing Tree Ema

made in germany

Scope of delivery

- 21x posts: robinia
- 2x climbing net: plastic-coated steel cable
- 3x rope rung: plastic-coated steel cable
- 1x climbing rope: plastic-coated steel cable



Material	Robinia natural
Foundation level	FL 3
Minimum space	940x780x390 cm
Free falling height	210 cm
Impact protection net	58,0 m²
Foundations	21x CF
Assembly	-

eibeplay Ltd, eibe House | Forsyth's Home Farm | A3 Bypass Road, Hurtmore, Surrey | GU8 6 AD | UK | Fon +44 (0)14 83/813 834 | Fax +44 (0)14 83/813 851 | eibe@eibe.co.uk | www.eibe.co.uk

Date	Note
Project name: Proposed Strategic Housing Development at Dunshaughlin East - Phase 2	Project number: 19-048
Drawing name: Play Ground Design Play Area 3 (3 of 3)	Drawing number: PG-03-PP
Drawing scale @ A1: 1:100	Drawn by: ad
Status: Planning	Checked by: ld
Contact details: Linda Doyle (Director) mobile: 087 267 4196 e-mail: linda@doyle-o'troithigh.com Daireh O'Troithigh (Director) mobile: 086 300 3499 e-mail: daireh@doyle-o'troithigh.com	Office address: Pembroke House, 28-32 Upper Pembroke St, Dublin 2.